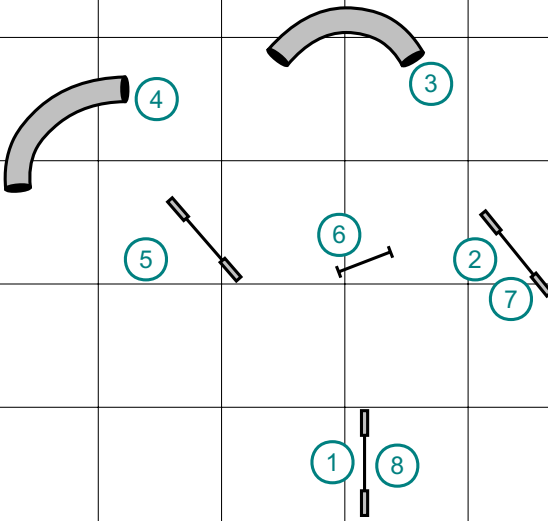
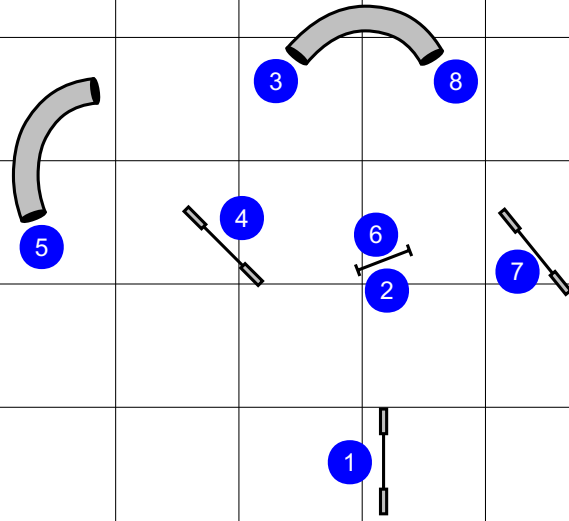


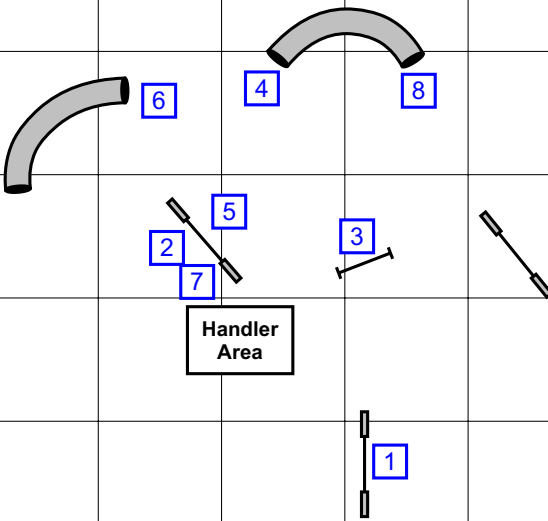
ARFF 8-31-22 Tunnel & Jump Discriminations



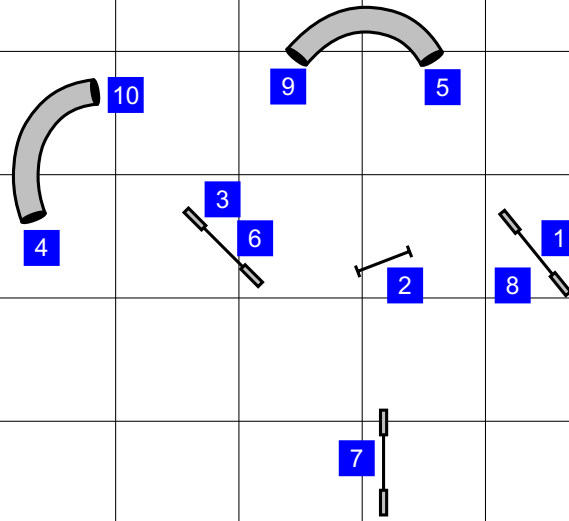
This just gets you running. Be sure you pick your dog up at each tunnel exit.



If you lead out, you can keep your dog on your L thru #5.



#1-#3 is a pinwheel. One option: If you wrap #3, send your dog to the #4 tunnel on a rear cross and hang back in the "Handler Area," you can call him over #5 and get an easy line to the #6 tunnel. Try other options.



#1-#3 is a serpentine. A blind cross after the #4 tunnel may be the best way to get your dog to #5. If you can send your dog around the pinwheel (#6-#8), you'll be in a better position to get him into #9.